

LAL	Rev	Description	Chk	Date	Approved
	A	ENGINEERING RELEASE		8/26/77	<i>RF</i>
X	B	REVISED SHEET 6 & 7, ADDED MAR-' AND PIN 62 CALLOUT. ADDED I.C. LOCATIONS TO ASSEMBLY DRAWING, SHEET 3.		10/3/77	<i>RF</i>

**ENGINEERING  
RELEASE**

Dist Code ALT

These drawings and specifications and the data contained therein, are the exclusive property of Xerox Corporation and/or Rank Xerox, Ltd. issued in strict confidence and shall not, without the prior written permission of Xerox Corporation or Rank Xerox, Ltd. be reproduced, copied or used for any purpose whatsoever except the manufacture of articles for Xerox Corporation or Rank Xerox.

Notes Unless Specified

- Tolerances  
 .xx +.03 Angular  
 .xxx +.010 ±1/2°
- Break All Sharp Edges  
 .010 Approx
- Mach. Surfaces ✓
- All Dim. in Inches

Drawn R. FREEMAN  
8-26-77

Check

Appr. *R. Freeman* 11/3/77

Material

Xerox Corporation  
El Segundo, California

**XEROX**

ALTO II  
ASSEMBLY, PRINTED WIRING-  
MEMORY EXTENSION AND TERMINATOR  
MODULE

Model No. First Use	ALTO II	Finish	Code Ident 18338	Size A	Dwg. No. 216646	Change Letter B
Next Assy. First Use			Scale	Do Not Scale Drawing	Sheet	1 Of 7

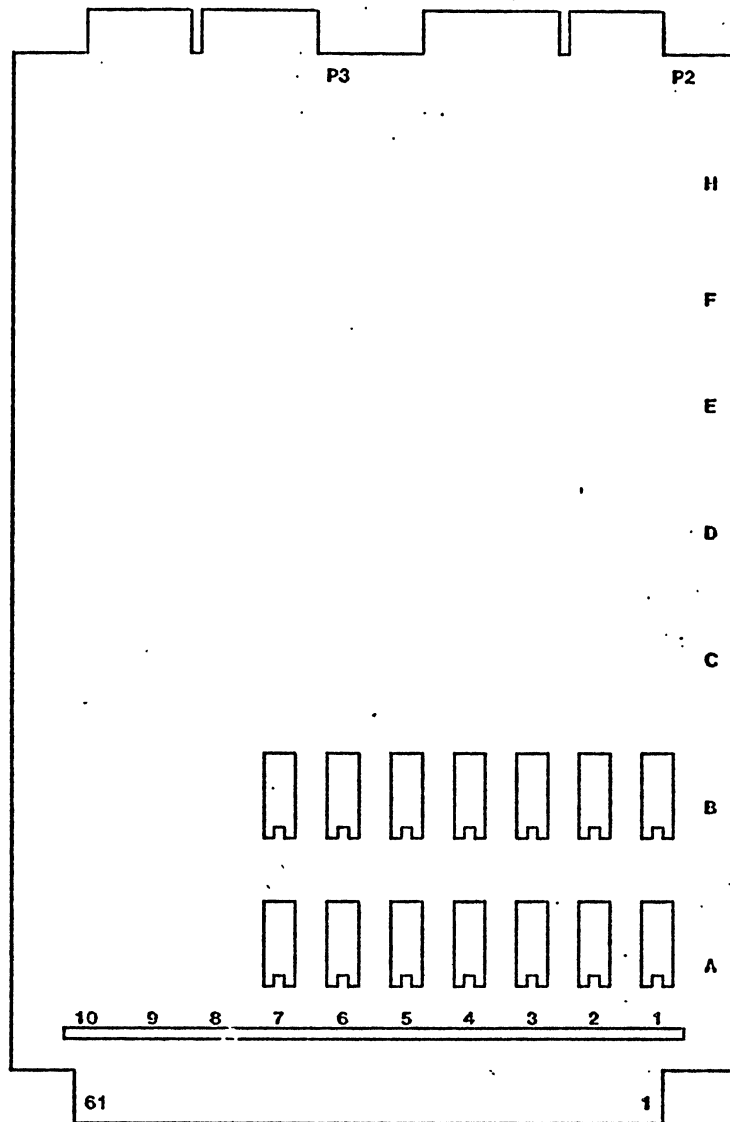
NOTES: UNLESS OTHERWISE SPECIFIED

1. ASSEMBLE PER ALTO II MODULE ASSEMBLY SPEC., DWG. NO. 216207
2. THE FOLLOWING MODIFICATIONS MUST BE MADE TO "A" REVISION ARTWORK MODULES.
  - a) CUT ETCH BETWEEN A2-10 AND A2-11 (ETCH SIDE)
  - b) CUT ETCH BETWEEN A2-10 AND B2-6 (ETCH SIDE)
  - c) CUT ETCH BETWEEN A2-10 AND R3 (COMPONENT SIDE)
  
  - d) ADD WIRE FROM A2-8 TO PIN 62 (ETCH SIDE)
  - e) ADD WIRE FROM A2-12 TO A3-10 (ETCH SIDE)
  - f) ADD WIRE FROM A2-11 TO B2-6 (ETCH SIDE)
  - g) ADD WIRE FROM A2-11 TO END OF R3 NEAR A2-11 (ETCH SIDE)

These drawings and specifications, and the data contained therein, are the exclusive property of Xerox Corporation and or Rank Xerox, Ltd. and shall not, without the prior written permission of Xerox Corporation or Rank Xerox, Ltd., be reproduced, copied or used for any purpose whatsoever, except the manufacture of articles for Xerox Corporation or Rank Xerox, Ltd.

Title  
ALTO II  
ASSEMBLY, PRINTED WIRING -  
MEMORY EXTENSION AND TERMINATOR  
MODULE

Xerox Corporation El Segundo, California		XEROX	
216646		B	
Sheet	2 Of 7		



These drawings and specifications, and the data contained therein, are the exclusive property of Xerox Corporation and/or Rank Xerox, Ltd. and shall not, without the prior written permission of Xerox Corporation or Rank Xerox, Ltd., be reproduced, copied or used for any purpose whatsoever, except the manufacture of articles for Xerox Corporation or Rank Xerox, Ltd.

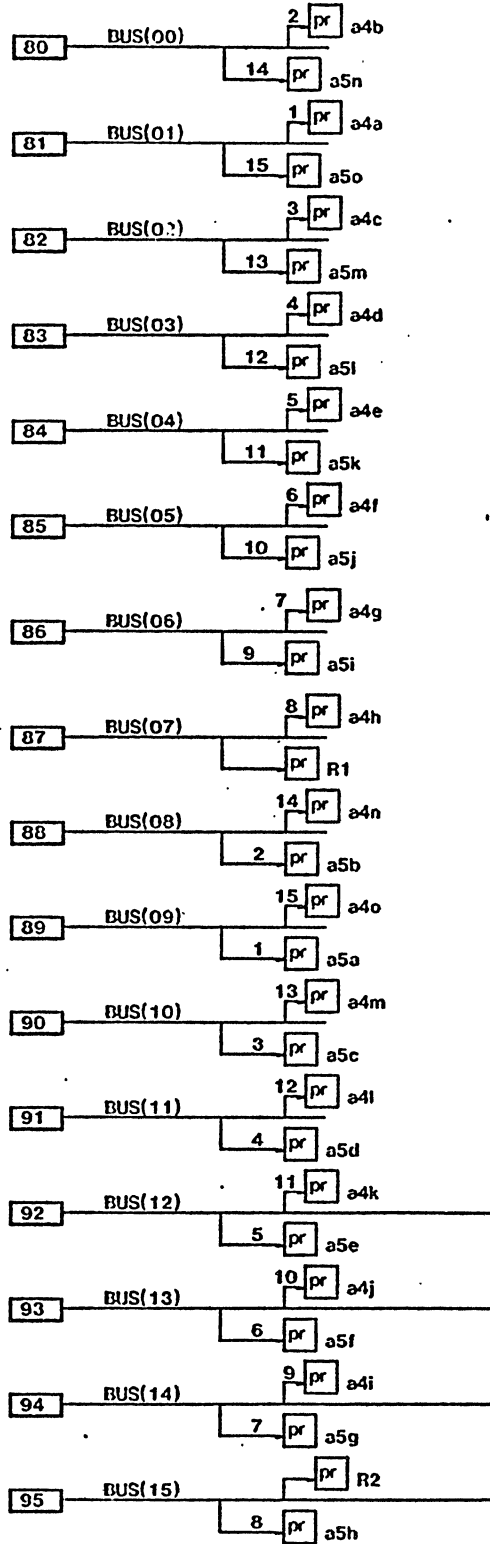
Title  
ALTO II  
ASSEMBLY, PRINTED WIRING -  
MEMORY EXTENSION AND TERMINATOR  
MODULE

Xerox Corporation El Segundo, California		XEROX	
216646		B	
Sheet		3 OF 7	

**MATERIAL LIST**

Rev. B	Drawing Title <b>ALTO II</b>		These drawings and specifications, and the data contained therein, are the exclusive property of Xerox Corporation and or Rank Xerox, Ltd. issued in strict confidence and shall not, without the prior written permission of Xerox Corporation Rank Xerox, Ltd., be reproduced, copied or used for any purpose whatsoever, except the manufacture of articles for Xerox Corporation or Rank Xerox, Ltd.		
Dwg.	ASSEMBLY, PRINTED WIRING - MEMORY EXTENSION AND TERMINATOR MODULE				
1 6 6 4 6			Model No. ALTO II	Date 8-26-77	Sheet 4 of 7
ML	Item No.	Drawing Title	Drawing No.	No. Req.	Remarks
	1	BOARD, P.W. -MEMORY EXTENSION AND TERMINATOR	216648	1	
	2				
	3	RESISTOR, NETWORK, DIP 270		1	A4 (A-B #316-A-271)
	4	RESISTOR, NETWORK, DIP 560		1	A5 (A-B #316-A-561)
	5	RESISTOR, FILM, 560 OHM, +5% -5%, 1/4 W	116447-561	1	R1
	6	RESISTOR, FILM, 270 OHM, +5% -5%, 1/4 W	116447-271	1	R2
	7	RESISTOR, FILM, 1 K OHM, +5% -5%, 1/4 W	116447-102	1	R3
	8				
	9	CAPACITOR, .01uF, 50V CERAMIC	188483-001	12	C2-C13
	10	CAPACITOR, 22uF, 15V TANTALUM	187720-005	1	C1
	11				
	12	MICROCIRCUIT, 74S02 T.I.		1	A1
	13	MICROCIRCUIT, 74S04 T.I.		2	A3, A7
	14	MICROCIRCUIT, 74LS08 T.I.		1	B5
	15	MICROCIRCUIT, 74S30 T.I.		1	A2
	16	MICROCIRCUIT, 74S32 T.I.		1	B1
	17	MICROCIRCUIT, 7438 T.I.		1	A6
	18	MICROCIRCUIT, 74LS158 T.I.		2	B4, B7
	19	MICROCIRCUIT, 74S189 T.I.		1	B6
	20	MICROCIRCUIT, I3205 INTEL		2	B2, B3
	21				
	22				
	23	STIFFENER	216242	1	
	24	EXTRACTOR, MODULE	216250	2	
	25	RIVET, BLIND PULL THRU	156111-005	2	
	26				
	27	SOCKET, MICROCIRCUIT 16 PIN	516-AG11D	7	AUGAT
	28	SOCKET, MICROCIRCUIT 14 PIN	514-AG11D	7	AUGAT
	29				
	30	ALTO II MODULE ASSY SPECIFICATION	216207	R/F	

NOTE: R2 IS 270 OHMS TO +5V; R1 IS 560 OHMS TO GROUND  
 TYPICAL OF ALL BUS(00) - BUS(15) LINES



These drawings and specifications, and the data contained therein, are the exclusive property of Xerox Corporation and/or Rank Xerox, Ltd. and shall not, without the prior written permission of Xerox Corporation or Rank Xerox, Ltd., be reproduced, copied or used for any purpose whatsoever, except the manufacture of articles for Xerox Corporation or Rank Xerox, Ltd.

Title  
 ALTO II  
 ASSEMBLY, PRINTED WIRING -  
 MEMORY EXTENSION AND TERMINATOR  
 MODULE

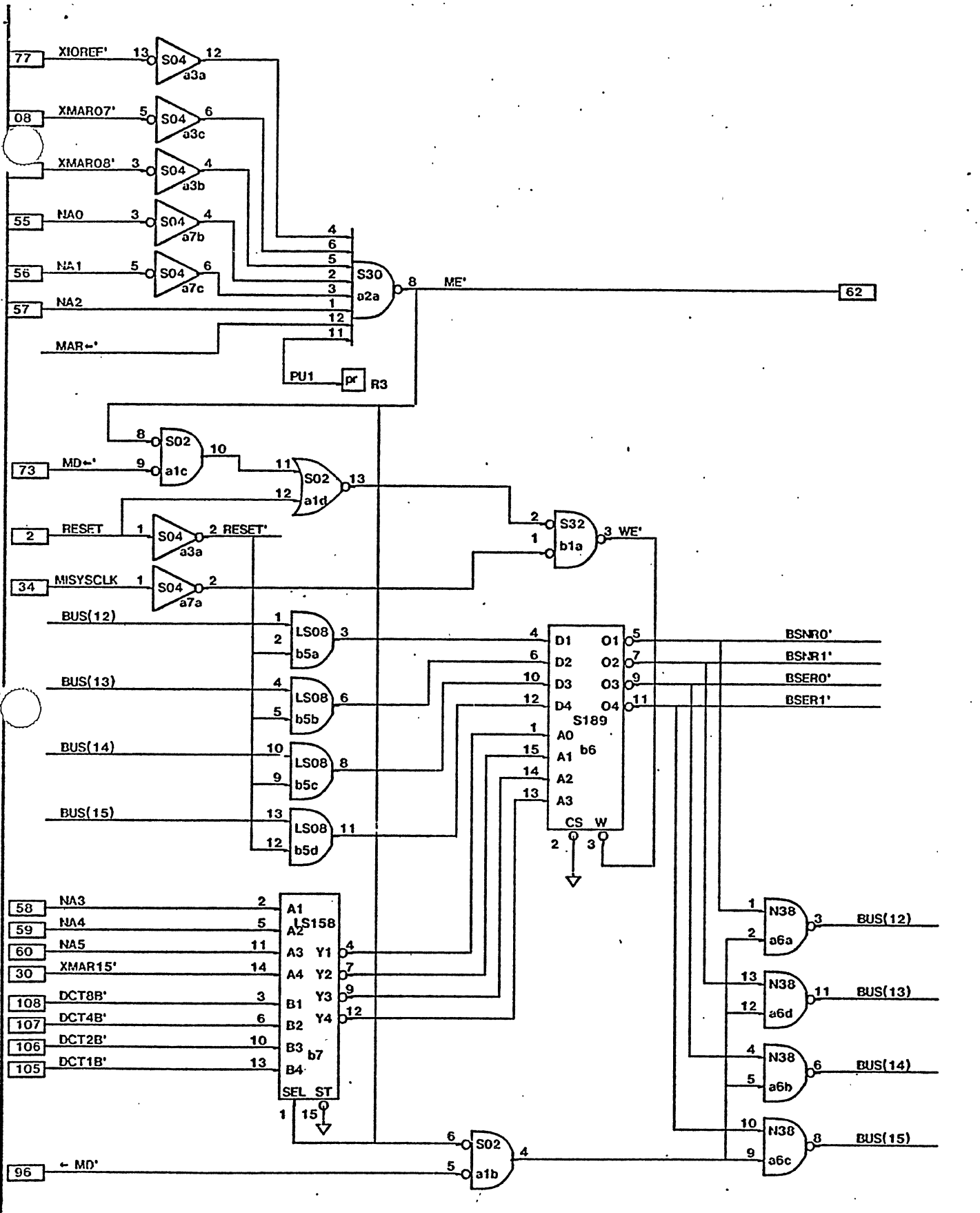
Xerox Corporation  
 El Segundo, California XEROX

216646

B

Sheet

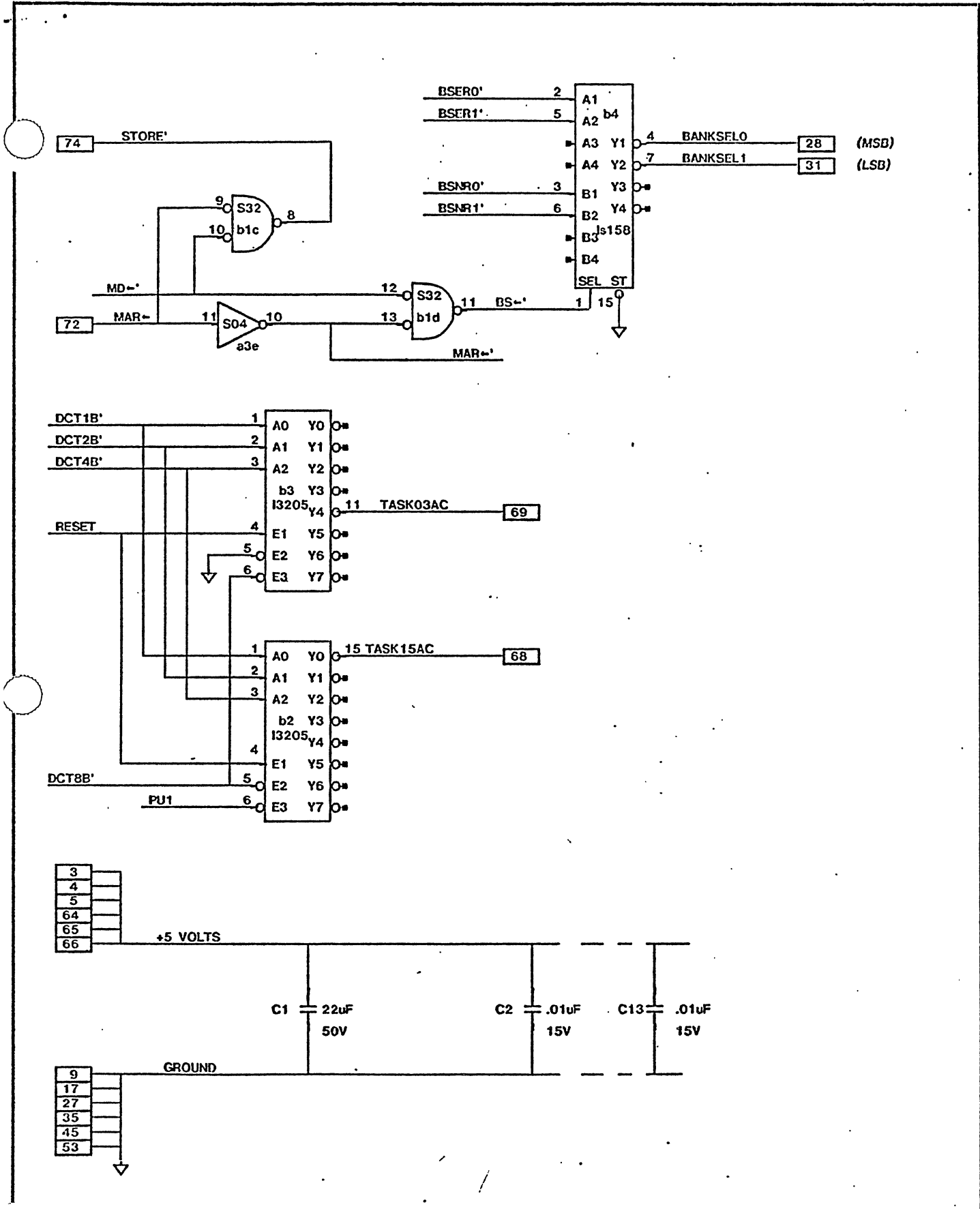
5 of 7



These drawings and specifications, and the data contained therein, are the exclusive property of Xerox Corporation and or Rank Xerox, Ltd. All in strict confidence and shall not, without the prior written permission of Xerox Corporation or Rank Xerox, Ltd., be reproduced, copied or used for any purpose whatsoever, except the manufacture of articles for Xerox Corporation or Rank Xerox, Ltd.

Title  
**ALTO II**  
 ASSEMBLY, PRINTED WIRING -  
 MEMORY EXTENSION AND TERMINATOR  
 MODULE

Xerox Corporation El Segundo, California		<b>XEROX</b>	
216646		B	
Sheet		6 OF 7	



These drawings and specifications, and the data contained therein, are the exclusive property of Xerox Corporation and or Rank Xerox, Ltd. Issued in strict confidence and shall not, without the prior written permission of Xerox Corporation or Rank Xerox, Ltd., be reproduced, copied or used for any purpose whatsoever, except the manufacture of articles for Xerox Corporation or Rank Xerox, Ltd.

Title  
**ALTO II**  
**ASSEMBLY, PRINTED WIRING -**  
**MEMORY EXTENSION AND TERMINATOR**  
**MODULE**

Xerox Corporation El Segundo, California		<b>XEROX</b>	
216646		B	
Sheet		7 Of 7	